

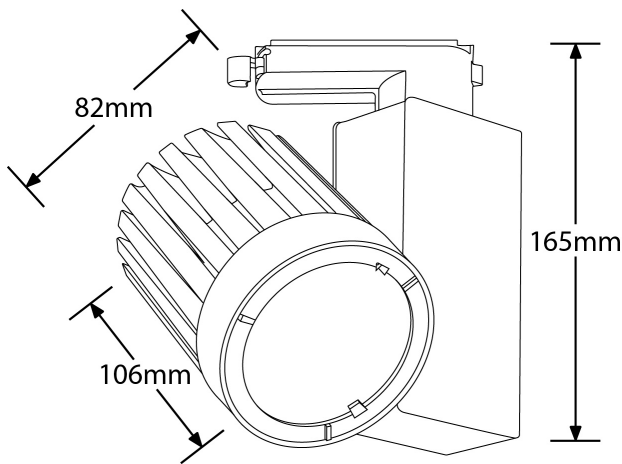
**Product Description**

Eddi™ T1 Adjustable Accent luminaire, fitted with 3 circuit track adaptor in White complete with 1 x 30W 3000lm 3000K 80 CRI LED COB(s) with Medium Reflector

**Product Image:**



**Line Drawing Image**



**Photometrics**

Image is representative for range. For further information contact your local office.

**Product Specification**

|                   |                 |                           |                                     |
|-------------------|-----------------|---------------------------|-------------------------------------|
| Technology        | LED             | Input Voltage             | 220-240V                            |
| Power Factor      | 0.9             | IP Rating                 | IP20                                |
| SDCM              | 3               | CRI                       | 80                                  |
| Dimming           | No              | Mount Type                | fitted with 3 circuit track adaptor |
| Max Height        | 165mm           | Length                    | 106mm                               |
| Width             | 82mm            | Overall Diameter          | 82mm                                |
| Weight            | 1.1             | Lumens Per W              | 100LL/TCW                           |
| Lifetime          | 50000 hours L70 | Light Source Manufacturer | Lumileds                            |
| Rotation          | 310°            | Horizontal Adjustment     | 180°                                |
| Distribution Type | Accent          | Warranty                  | 5 Years                             |

**SKU Table and Ordering**

| SKU Code | Lumens | Beam Angle | Finish Colour | Colour Temperature | Wattage |
|----------|--------|------------|---------------|--------------------|---------|
| 121-3025 | 1x3000 | 34         | White         | 3000               | 1x30    |

**Compliance & Approvals :**



## Warranty

---

This product has a warranty period of 5 Years from the date of purchase. The warranty is invalid in the case of improper use, installation, tampering, and removal of the Q.C. date label; installation in an improper working environment or installation not according to the current edition of the National Electric Code. Should this product fail during the warranty period it will be replaced free of charge, subject to the correct installation of the original product and subsequent return of the faulty unit. Aurora does not accept responsibility for any installation costs associated with the replacement of this product and Aurora reserves the right to alter specifications without prior notice.

Lumen Disclaimer: Above lumens are net figures, other lumen packages available on request. Wattage will decrease in future with development of more efficient LED sources. The lumen package will remain the same. All Performance figures are + - 10%.

It is the customer's responsibility to ensure product is suitable for specified application.

### **Global Manufacturing & Design Centre Aurora**

Unit A Euro Park  
Frankland Road Blagrove  
Swindon SN5 8YG

UK

Tel : +44 (0) 1793 46 72 00